

1

2

3

4

										Tolerance class

A

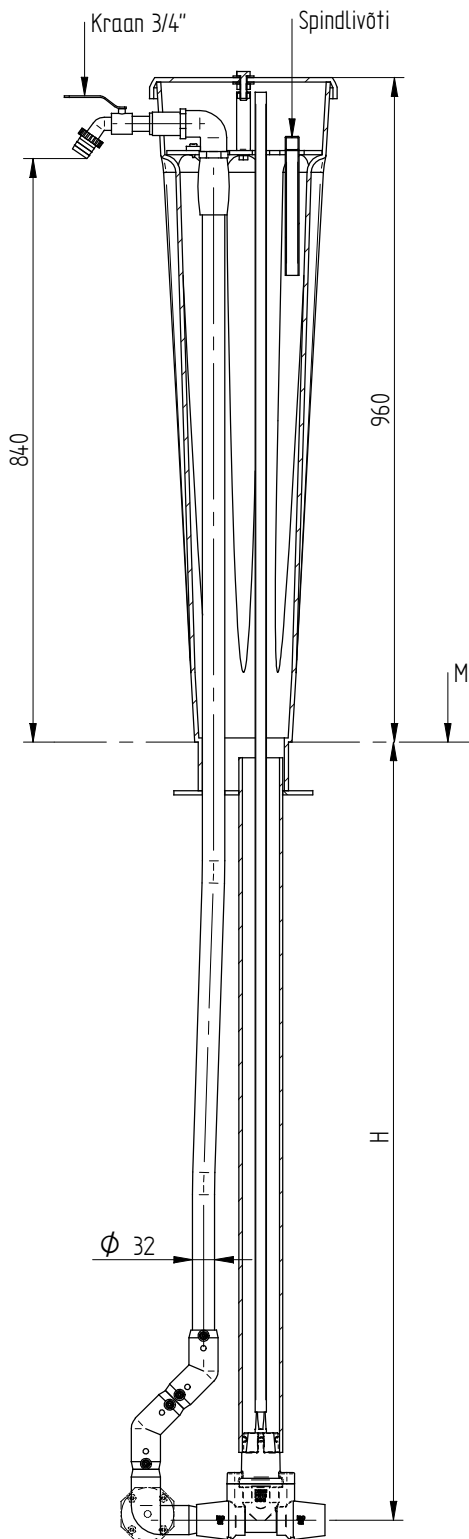
B

C

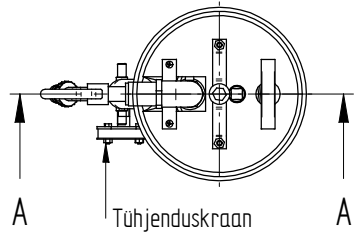
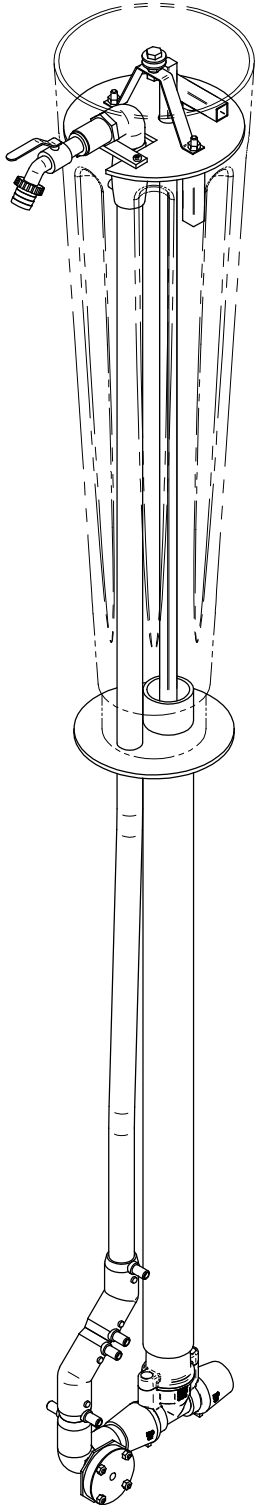
D


E

F



SECTION A-A



Date	Enain.	Signature	Sheets	Maapealne veevõtupost		
eccua 				Mass	Number	Rv

All rights reserved.