

1

2

3

4

Tolerance class:

Nr.	Name	Material
1	Body	PE
2	Service well	PE, D500
3	Telescopic cover	Plastic
4	Seal for inlet pipe	PE, D110
5	Outlet pipe D40	PE
6	Elbow	Brass, DN32
7	Discharge pipe	PE, D40
8	Pump	
9	Cable bushing	
10	Coupling	Brass, D40-1 1/4"
11	Check valve	DN32
12	Ball valve	Brass, DN32
13	Elbow	Brass, 1 1/4"sk
14	Seal	
15	Camlock coupling	1 1/4"; PP
16	Double nipple	1 1/4"-1"

A

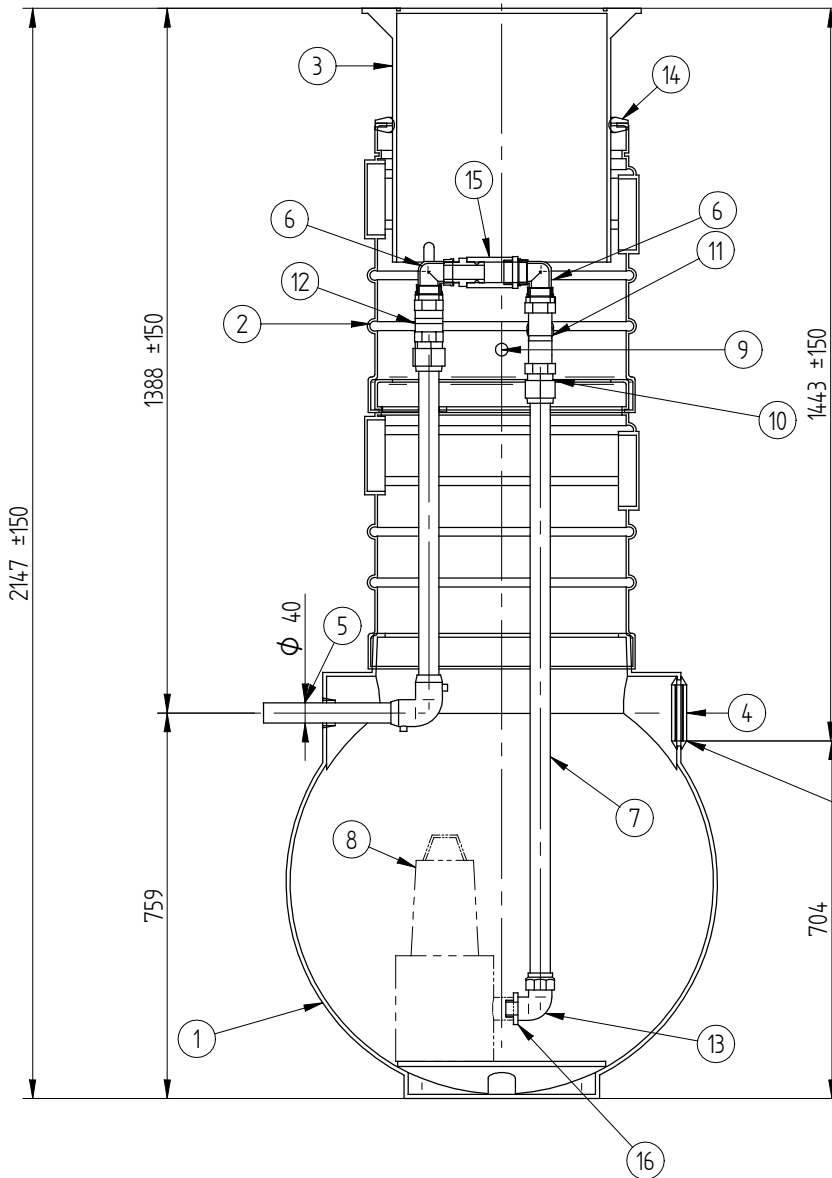
B

C

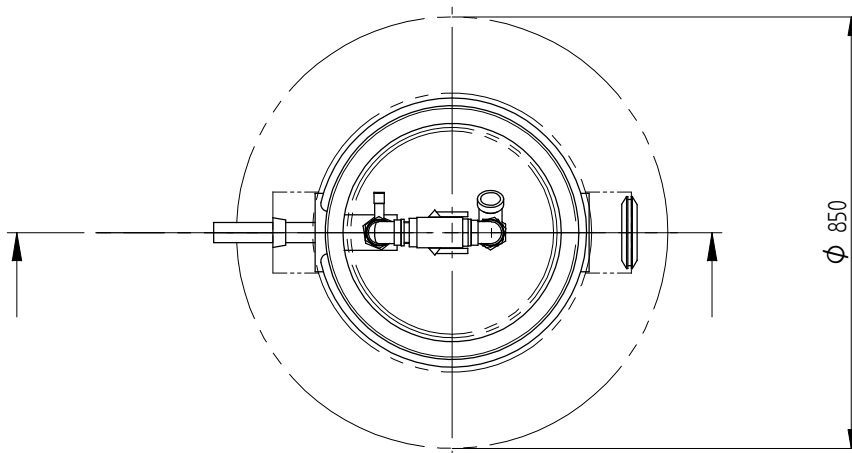
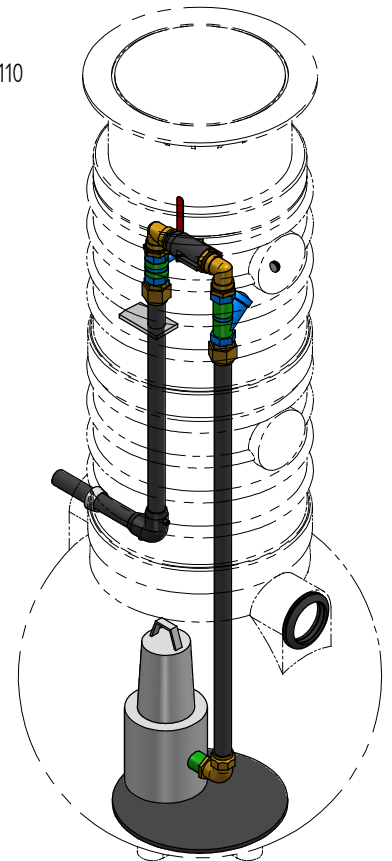
D


E

F



1. To lift the pump out you must unscrew the Camlock coupling (pos.15) and then you can lift the pump out.

Inlet seal $\phi 110$ 

1.02.2016 Date	MV Enjin.	Signature	Sheets	Pumping station "Edgar" 2000 Name		
eccua 				Mass	Number	Rv

Mass

Number

Rv

All rights reserved.