

TOP-FLOOR

Submersible DRAINAGE pumps

 Clear water

 Domestic use



PERFORMANCE RANGE

- Flow rate up to **160 l/min** (9.6 m³/h)
- Head up to **9 m**

APPLICATION LIMITS

- **3 m** maximum immersion depth (with a sufficiently long power cable)
- Maximum liquid temperature **+40 °C** (Maximum liquid temperature +90 °C for a maximum of 3 minutes intermittent service)
- Passage of suspended solids up to **Ø 2 mm**
- Suction down to **2 mm** above ground level
- Continuous service **S1**

CONSTRUCTION AND SAFETY STANDARDS

The pumps are complete with a **5 m** power cable

EN 60335-1
IEC 60335-1
CEI 61-150

EN 60034-1
IEC 60034-1
CEI 2-3



CERTIFICATIONS

Company with management system certified DNV
ISO 9001: QUALITY



INSTALLATION AND USE

The **TOP-FLOOR** series is suitable for use with **clear water** that does not contain abrasive particles.

Because of their ability to drain water to a level of 2 millimetres above ground level, they are suitable for use in domestic emergencies where a small area must be drained to the lowest possible level.

PATENTS - TRADE MARKS - MODELS

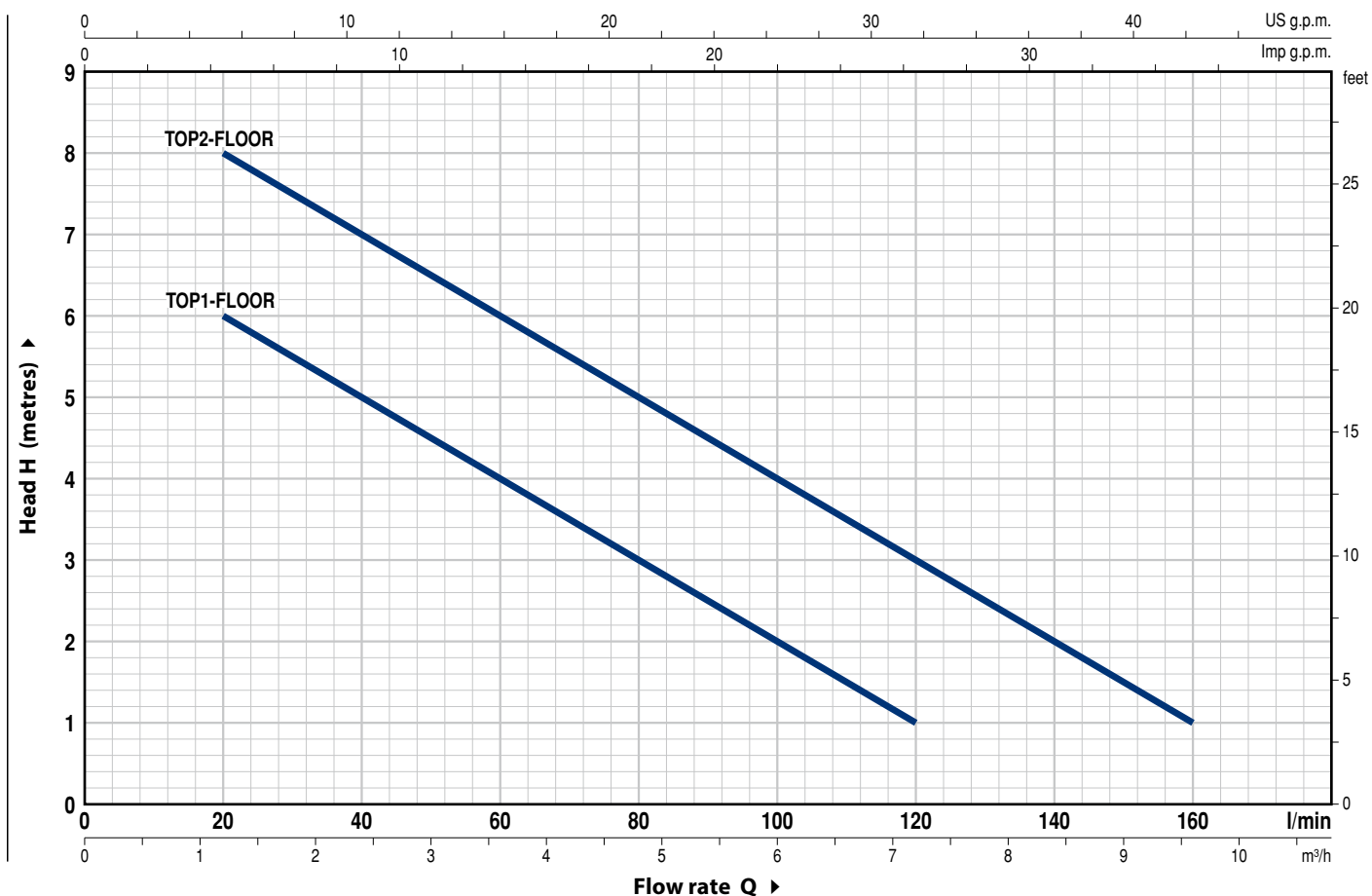
- Registered EU Design n. 342159-0011

OPTIONS AVAILABLE ON REQUEST

- Pumps with float switch
- Pumps intended for use with aggressive liquids:
 - **TOP 1-FLOOR/LA**
 - **TOP 2-FLOOR/LA**
- Special mechanical seal
- Pumps with a **10 m** long power cable.
 - ➔ N.B.: Standard EN 60335-2-41 states that the power cable must be 10 m long for outdoor applications
- Other voltages or 60 Hz frequency

CHARACTERISTIC CURVES AND PERFORMANCE DATA

50 Hz n= 2900 min⁻¹



| MODEL | POWER (P ₂) | | Q | 0 | 1.2 | 2.4 | 3.6 | 4.8 | 6.0 | 7.2 | 8.4 | 9.6 |
|--------------|-------------------------|------|----------|---|-----|-----|-----|-----|-----|-----|-----|-----|
| | kW | HP | | 0 | 20 | 40 | 60 | 80 | 100 | 120 | 140 | 160 |
| Single-phase | | | | | | | | | | | | |
| TOP 1-FLOOR | 0.25 | 0.33 | H metres | 7 | 6 | 5 | 4 | 3 | 2 | 1 | | |
| TOP 2-FLOOR | 0.37 | 0.50 | | 9 | 8 | 7 | 6 | 5 | 4 | 3 | 2 | 1 |

Q = Flow rate H = Total manometric head

Tolerance of characteristic curves in compliance with EN ISO 9906 Grade 3B.

TOP-FLOOR

POS. COMPONENT CONSTRUCTION CHARACTERISTICS

| | | |
|---|---------------------------|--|
| 1 | PUMP BODY | Technopolymer |
| 2 | SUCTION FILTER | Technopolymer |
| 3 | SUCTION PLATE | Stainless steel AISI 304 (AISI 316L for LA versions) |
| 4 | DIFFUSER | Technopolymer |
| 5 | IMPELLER | Noryl FE1520PW |
| 6 | MOTOR CASING | Stainless steel AISI 304 (AISI 316L for LA versions) |
| 7 | MOTOR CASING PLATE | Stainless steel AISI 304 |
| 8 | MOTOR SHAFT | Stainless steel AISI 431 (AISI 316L for LA versions) |

9 SHAFT WITH DOUBLE SEAL AND OIL CHAMBER

| <i>Seal Model</i> | <i>Shaft Diameter</i> | <i>Materials</i> | | |
|-------------------|-----------------------|------------------------|------------------------|------------------|
| | | <i>Stationary ring</i> | <i>Rotational ring</i> | <i>Elastomer</i> |
| STA-12R | Ø 12 mm | Ceramic | Graphite | NBR |

| | | |
|----|-----------------|----------------------|
| 10 | LIP SEAL | Ø 12 x Ø 19 x H 5 mm |
|----|-----------------|----------------------|

| | | |
|----|-----------------|-------------------|
| 11 | BEARINGS | 6201 ZZ / 6201 ZZ |
|----|-----------------|-------------------|

12 CAPACITOR

| <i>Pump Single-phase</i> | <i>Capacitance (230 V or 240 V)</i> | |
|--------------------------|-------------------------------------|----------------|
| TOP 1-FLOOR | 10 µF 450 VL | 16 µF - 250 VL |
| TOP 2-FLOOR | 10 µF 450 VL | 16 µF - 250 VL |

13 ELECTRIC MOTOR

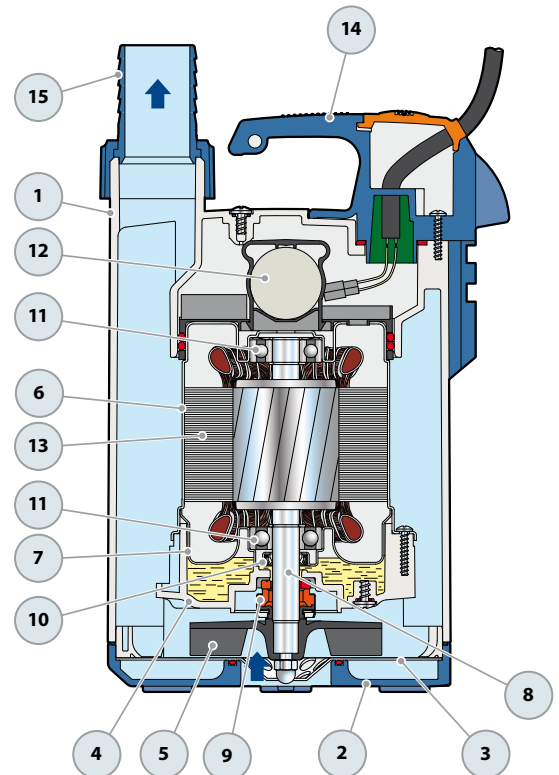
TOP-FLOOR: single-phase 230 V - 50 Hz with thermal overload protector incorporated into the winding.
 – Insulation: class F
 – Protection: IP X8

14 HANDLE ASSEMBLY (resin sealed)

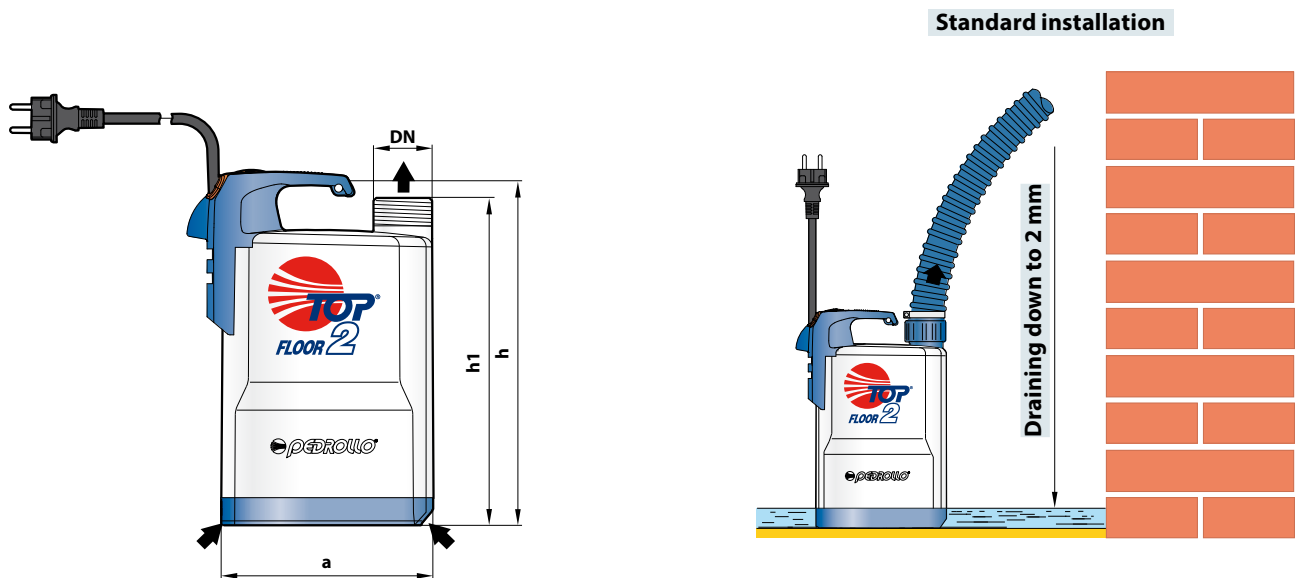
Complete with 5 metres long "H07 RN-F" **power cable** with Schuko plug

15 HOSE CONNECTOR WITH RING NUT

Ø 25 mm hose connection for TOP1 - FLOOR
 Ø 35 mm hose connection for TOP2 - FLOOR



DIMENSIONS AND WEIGHT



| MODEL | PORT | DIMENSIONS mm | | | Minimum drying level | kg |
|--------------|------|---------------|-----|-----|----------------------|-----|
| | | a | h | h1 | | |
| Single-phase | DN | | | | | |
| TOP 1-FLOOR | 1¼" | 152 | 257 | 237 | 2 mm | 5.1 |
| TOP 2-FLOOR | | | | | | 5.2 |

ABSORPTION

| MODEL | VOLTAGE | | |
|--------------|---------|-------|-------|
| | 230 V | 240 V | 110 V |
| Single-phase | | | |
| TOP 1-FLOOR | 1.5 A | 1.4 A | 3.0 A |
| TOP 2-FLOOR | 2.0 A | 1.9 A | 4.0 A |

PALLETIZATION

| MODEL | GROUPAGE | CONTAINER |
|--------------|----------|-----------|
| | | |
| Single-phase | | |
| TOP 1-FLOOR | 96 | 144 |
| TOP 2-FLOOR | 96 | 144 |